



# CUSTOM CAPS

OVERSEAS PROGRAM ORDER FORM

Please type or print clearly  
One style, one color, one logo per order form.

**CONTACT NAME:** \_\_\_\_\_

<b>Bill to:</b> _____	<b>Ship to:</b> _____	<b>PO #:</b> _____
<b>Address:</b> _____	<b>Address:</b> _____	<b>Order Date:</b> _____
_____	_____	<b>Event Date:</b> _____
<b>Phone #:</b> _____	<b>Salesman:</b> _____	<b>Terms:</b> _____
<b>Fax #:</b> _____	<b>E-Mail:</b> _____	<b>Quantity:</b> _____

**CHOOSE YOUR STYLE & COLOR:**

<b>Style</b> (circle one):	5 Panel	/	6 Panel	<b>Structured:</b> _____	<b>Unstructured:</b> _____
<b>Top Visor Color:</b> _____				<b>Crown Color:</b> _____	<b>Mesh Color:</b> _____
				<b>Undervisor Color:</b> _____	

**VISOR TYPE & COLOR:**

**Text in Sandwich:** \_\_\_\_\_

**Regular:** \_\_\_\_\_

**Sandwich:** \_\_\_\_\_

**Other:** \_\_\_\_\_

**CLOSURE TYPE & COLOR:**

**Plastic Snap:** \_\_\_\_\_

**Cloth Strap:** \_\_\_\_\_

**Velcro:** \_\_\_\_\_

**Leather:** \_\_\_\_\_ **Embossed Buckle:** \_\_\_\_\_

**One-Size-Fits-All:** \_\_\_\_\_

**EYELET TYPE & COLOR:**

**Sewn:** \_\_\_\_\_

**Metal:** \_\_\_\_\_

**EYELET PLACEMENT:**

**6 Top Crown:** \_\_\_\_\_

**2 Each Side:** \_\_\_\_\_

**4 Crown Back:** \_\_\_\_\_

**None:** \_\_\_\_\_

**BUTTON COLOR:**

**Color:** \_\_\_\_\_

**ART PLACEMENT AND DESCRIPTION:**

**Front:** \_\_\_\_\_

**Back Center:** \_\_\_\_\_

**Right Temple:** \_\_\_\_\_

**Left Temple:** \_\_\_\_\_

**Closure:** \_\_\_\_\_

**EMBROIDERY OPTIONS:** 3D  METALLIC

**Label:** \_\_\_\_\_

**Inside Taping:** \_\_\_\_\_

**Sandwich:** \_\_\_\_\_

**Visor:** \_\_\_\_\_

**Right Side**  **Right Corner**  **Center**

**Left Side**  **Left Corner**

**ART PLACEMENT AND DESCRIPTION:**

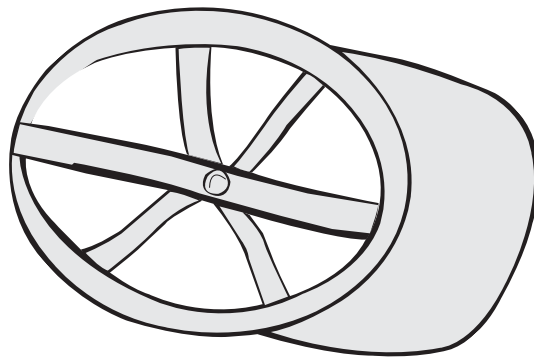
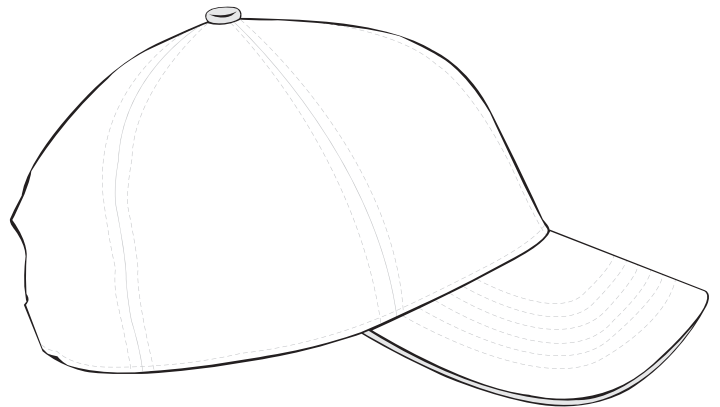
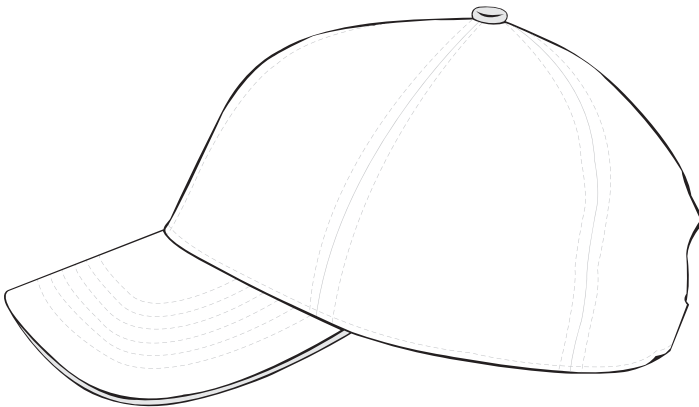
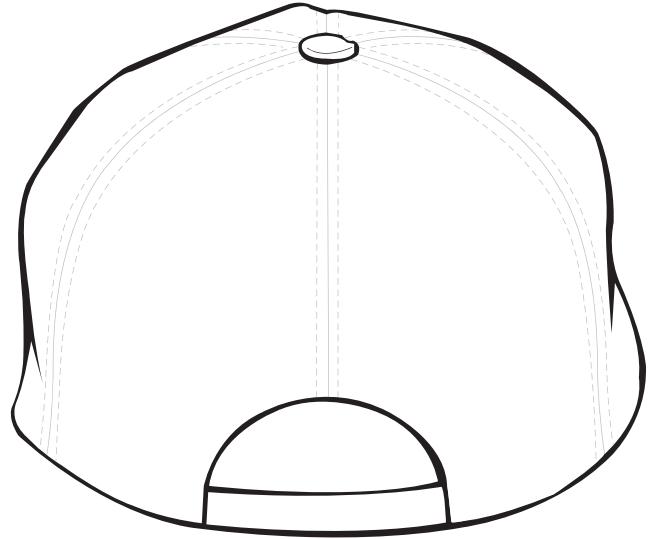
For the most accurate and speedy samples, we prefer vector art in Adobe Illustrator (MAC). We can convert JPEG or TIFF to vector art but this may incur additional days added to your sample delivery.

Artwork may be submitted via e-mail, CD or ZIP disk. Please include contact information, fonts, Pantone® colors, and a printed proof.

# Artwork Application

Designate the location(s) for your logo / artwork

---



---

**Comments:**

---

---

---